

HARDENED BACKUP SUPPORT WITH PROFILED PART POCKET

DETAIL A SCALE 1 : 2

PNEUMATIC CLAMP

RELIEF FOR EASY LOAD/UNLOAD

19" LED MONITOR

FLEXIBLE MONITOR MOUNT

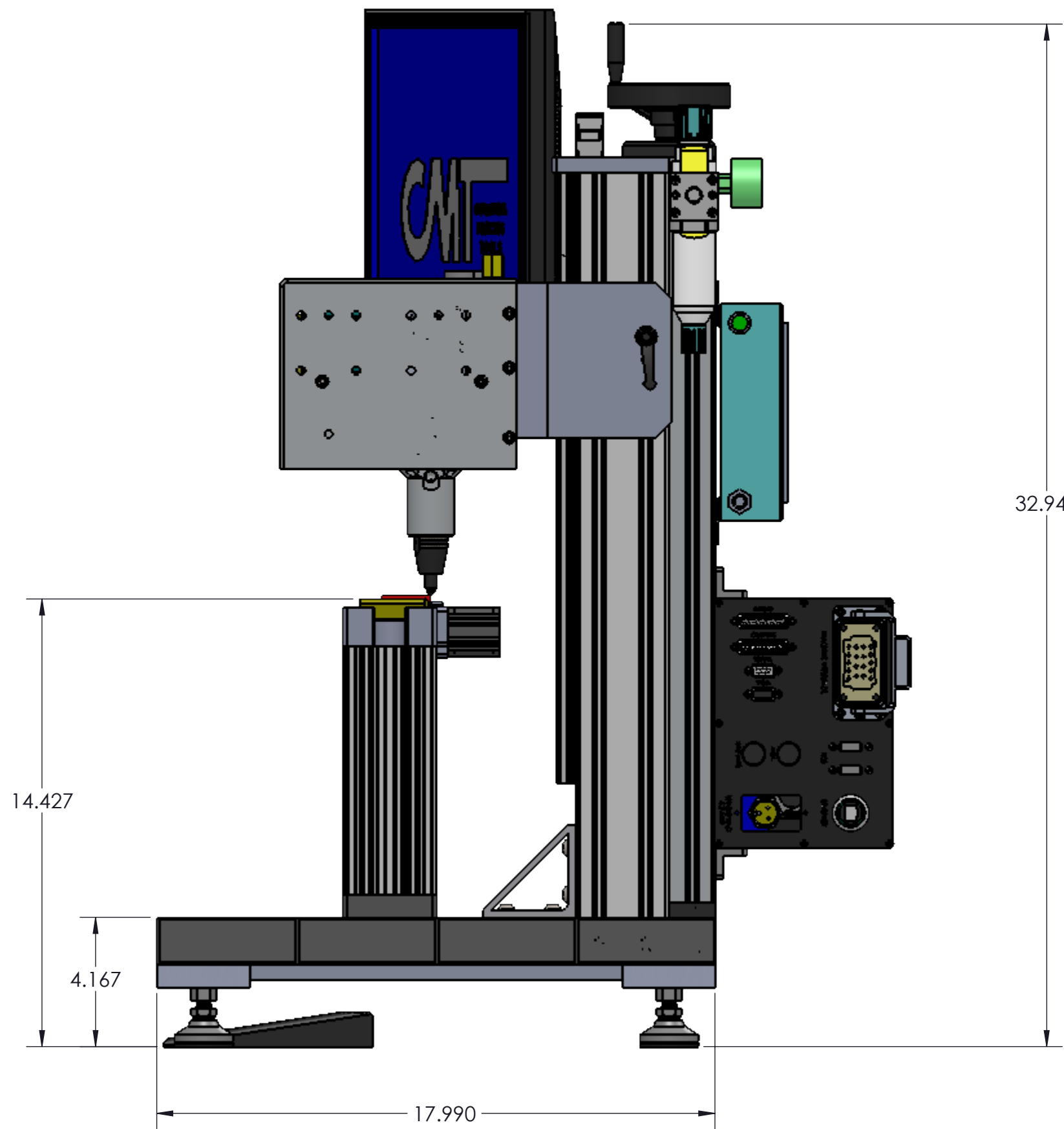
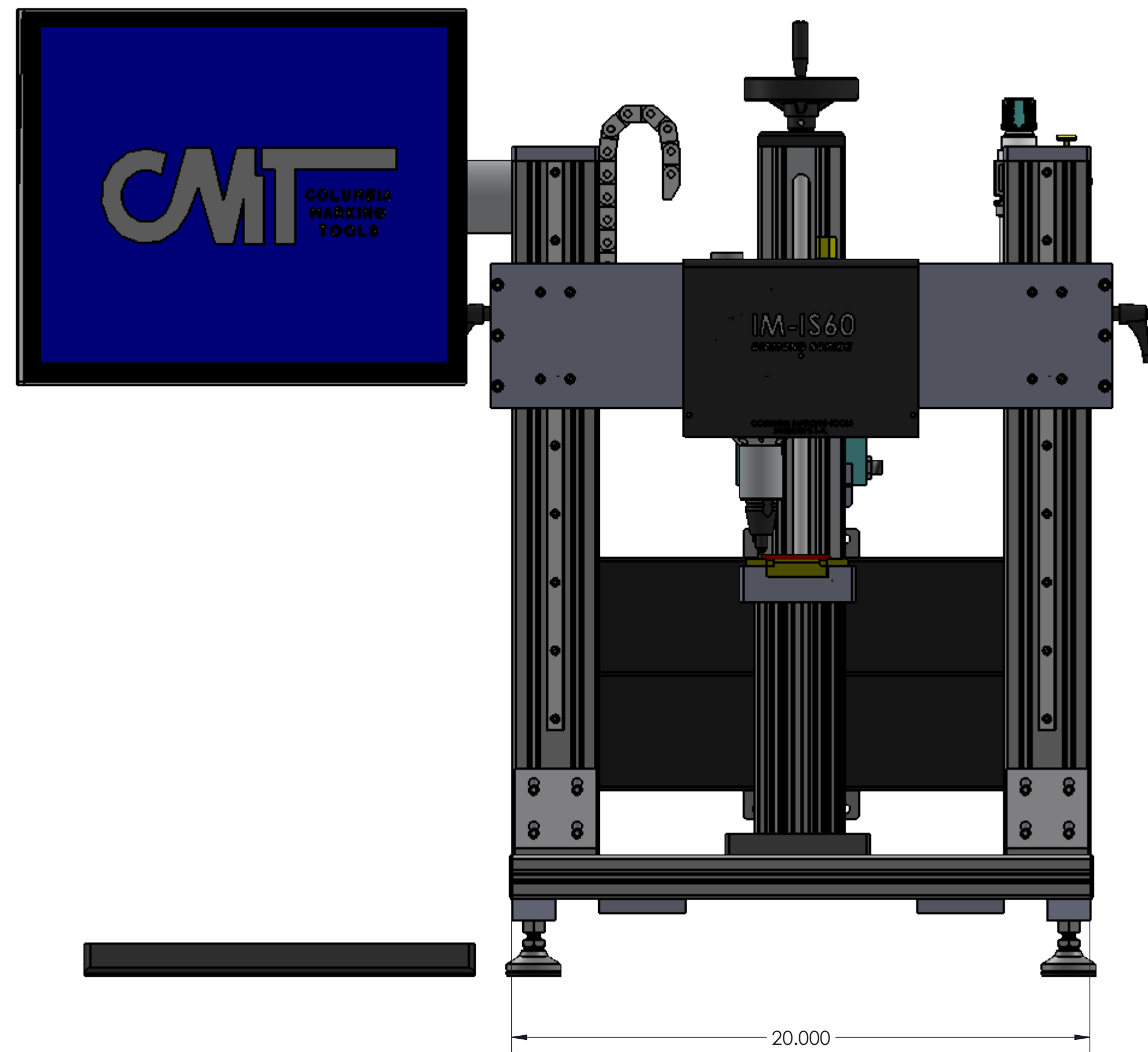
IM-IS60 SCRIBE SYSTEM WITH 1.0" PIN EXTENSION

IS60 BENCHTOP TOOL STAND WITH MANUAL Z-AXIS AND DUAL COLUMN SUPPORT

KEYBOARD WITH INTEGRATED MOUSE

PART LOCATING FIXTURE

ADJUSTABLE LEVELING FOOT WITH FRICTION GRIP PADS



32.947

14.427

4.167

17.990

20.000

REVISIONS				
ZONE	REV.	DESCRIPTION	DATE	APPROVED
A4	A	INITIAL PRINT RELEASED	6/5/2017	AJH

UNLESS OTHERWISE SPECIFIED:
 DIMENSIONS ARE IN INCHES
 TOLERANCES:
 FRACTIONAL ±
 ANGULAR: MACH ± BEND ±
 TWO PLACE DECIMAL ±
 THREE PLACE DECIMAL ±
 INTERPRET GEOMETRIC TOLERANCING PER:
 MATERIAL
 FINISH

DRAWN: AJH
 CHECKED: ENG APPR.
 ENG APPR.: MFG APPR.
 G.A.

NAME: AJH
 DATE: 06/05/17

CMT COLUMBIA MARKING TOOLS
 27430 LUCKING DRIVE CHESTERFIELD, MI 48070

TITLE: IM-MS60 SCRIBE MARKING STATION CUSTOMER

PROPRIETARY AND CONFIDENTIAL
 THE INFORMATION CONTAINED IN THIS DRAWING IS THE SOLE PROPERTY OF COLUMBIA MARKING TOOLS. ANY REPRODUCTION IN PART OR AS A WHOLE WITHOUT THE WRITTEN PERMISSION OF COLUMBIA MARKING TOOLS IS PROHIBITED.

SIZE DWG. NO. REV
D IMMS60-A001m01 **A**

SCALE: 1:8 WEIGHT: SHEET 1 OF 2