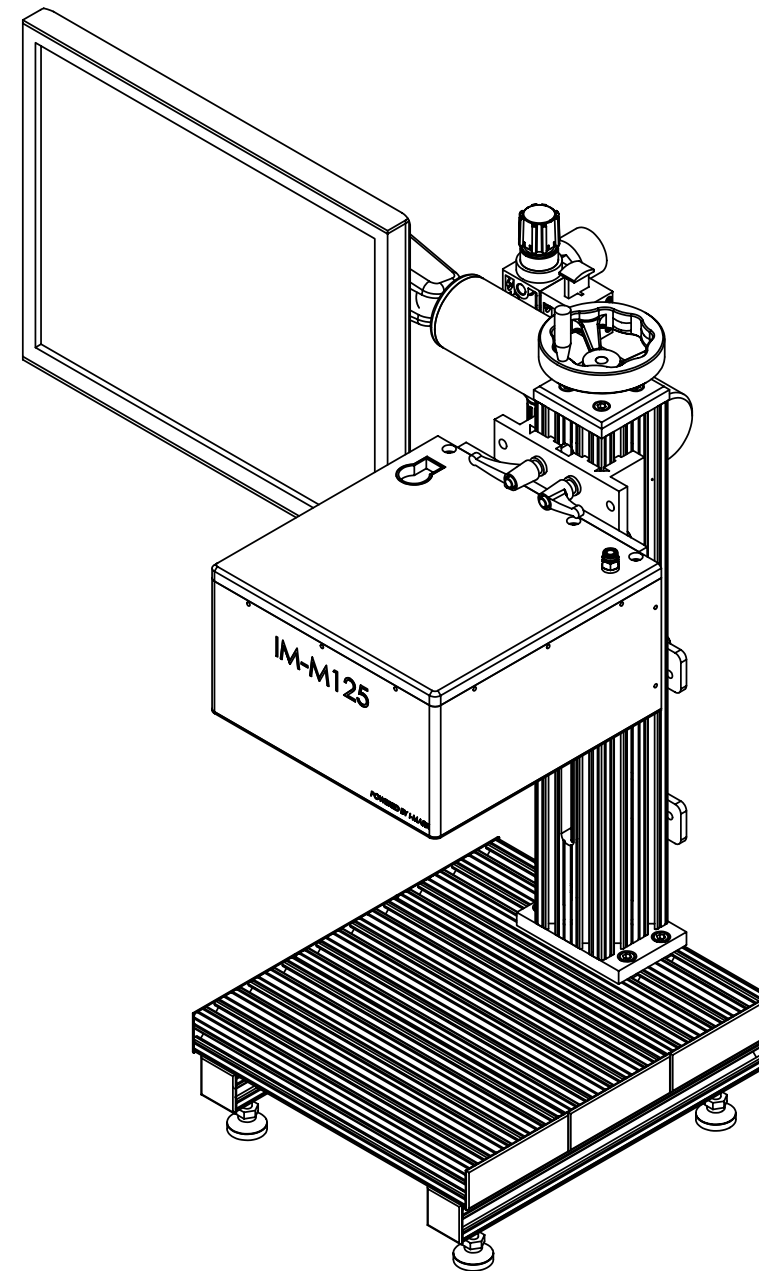
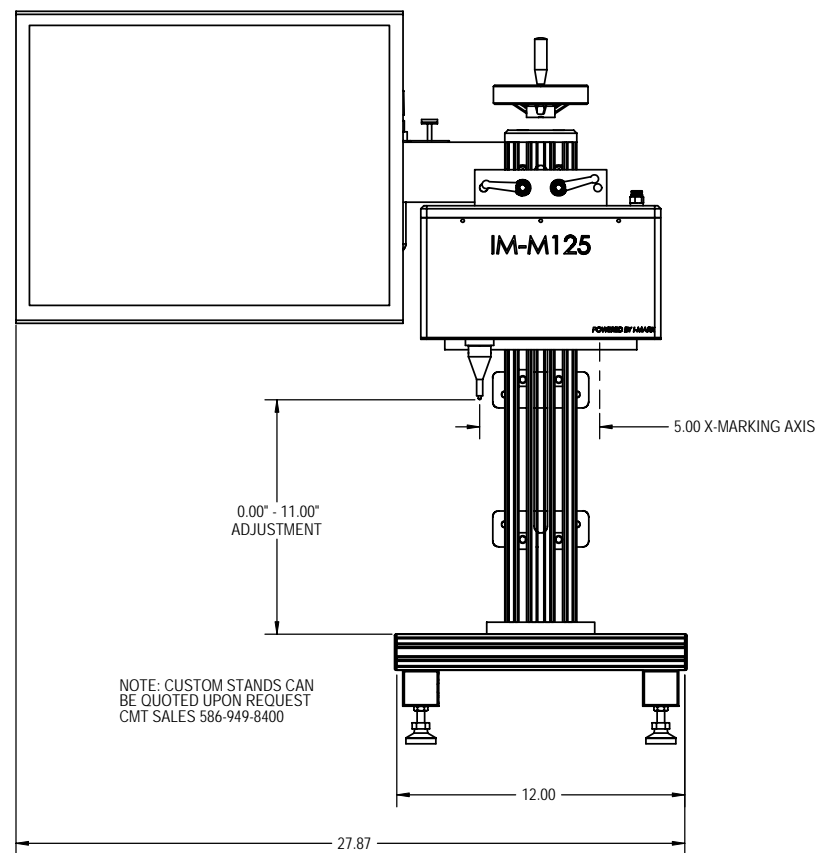


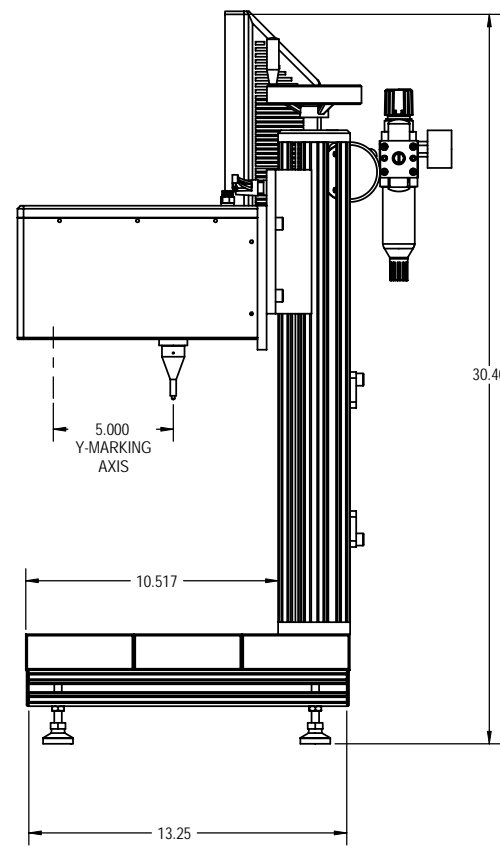
TOP VIEW




REFERENCE VIEW



FRONT VIEW



RH SIDE VIEW

UNLESS OTHERWISE SPECIFIED:		NAME	DATE	 <small>COLUMBIA MARKING TOOLS 27430 LUCKING DRIVE CHESTERFIELD, MI 48070</small>
DIMENSIONS ARE IN INCHES		ALH	05/01/10	
TOLERANCES		ALH	05/28/10	TITLE:
FRAC TIONAL	±	CHECKED		IM-M125 MARKING HEAD DIMENSIONAL LAYOUT
ANGULAR	MACH 1 ±	ENG APPR		
TWO PLACE DECIMAL	±	MFG APPR		
THREE PLACE DECIMAL	±	CJA		SIZE DWG. NO. REV D M125 - DIMENSIONAL A
INTERPRET GEOMETRIC TOLERANCING PER:		PROPRIETARY AND CONFIDENTIAL THE INFORMATION CONTAINED IN THIS DRAWING IS THE SOLE PROPERTY OF COLUMBIA MARKING TOOLS. ANY REPRODUCTION IN PART OR AS A WHOLE WITHOUT THE WRITTEN PERMISSION OF COLUMBIA MARKING TOOLS IS PROHIBITED.		SCALE: 1/4 WEIGHT: SHEET 1 OF 1
MATERIAL:				
FINISH:				